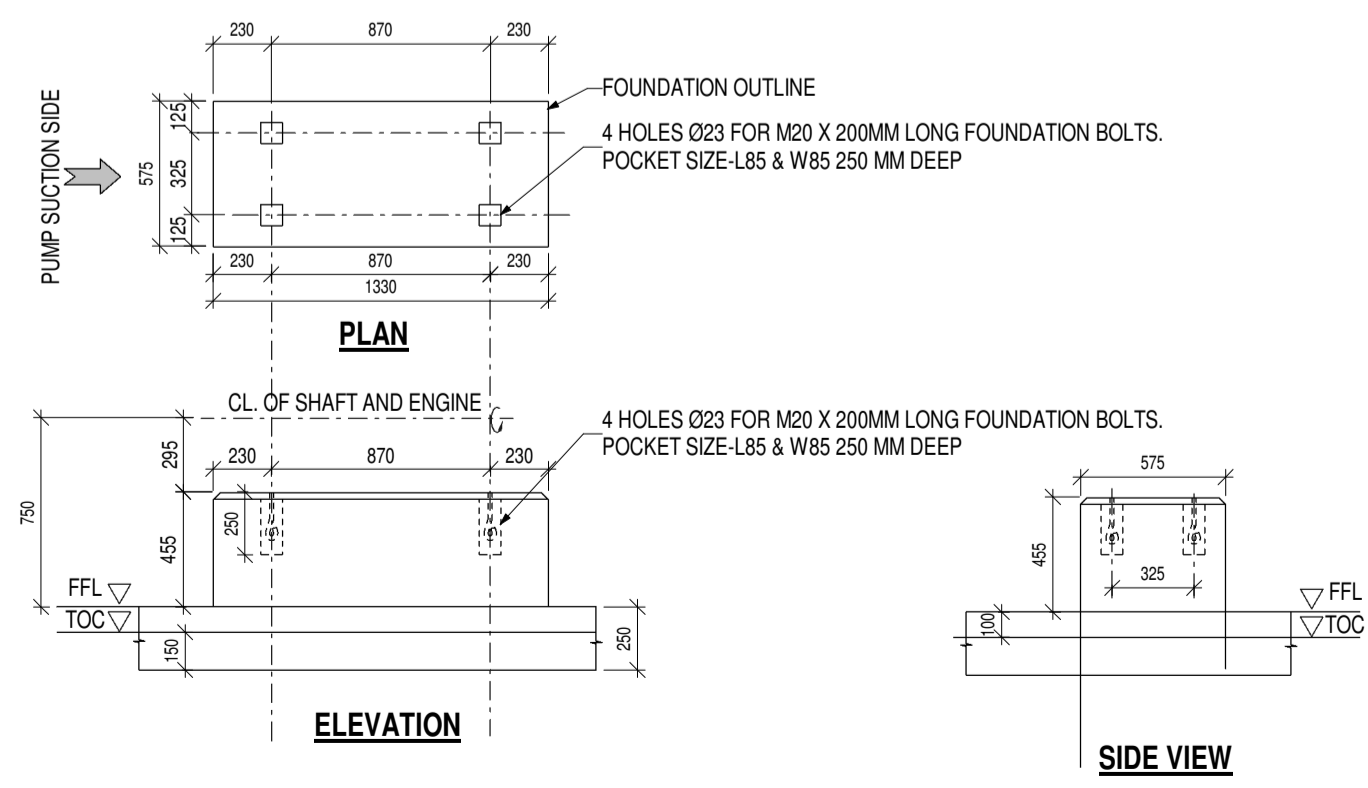
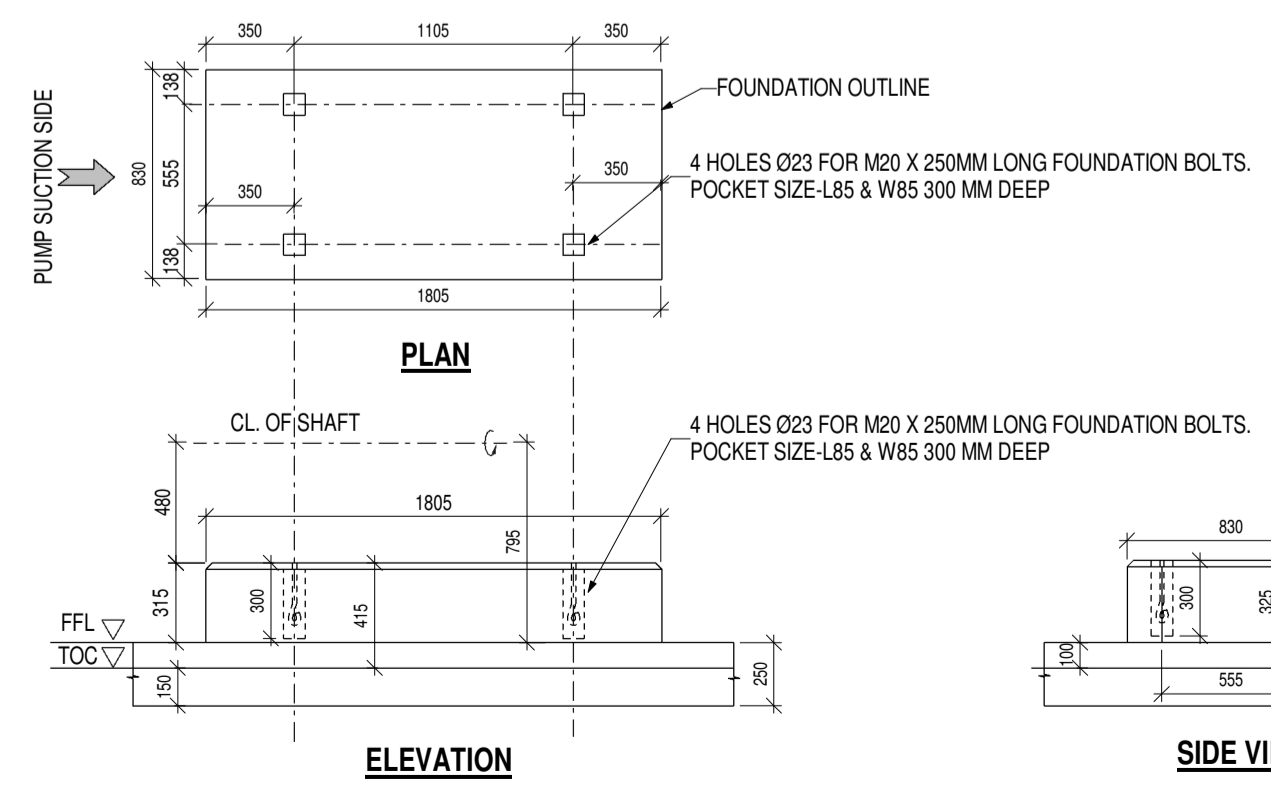
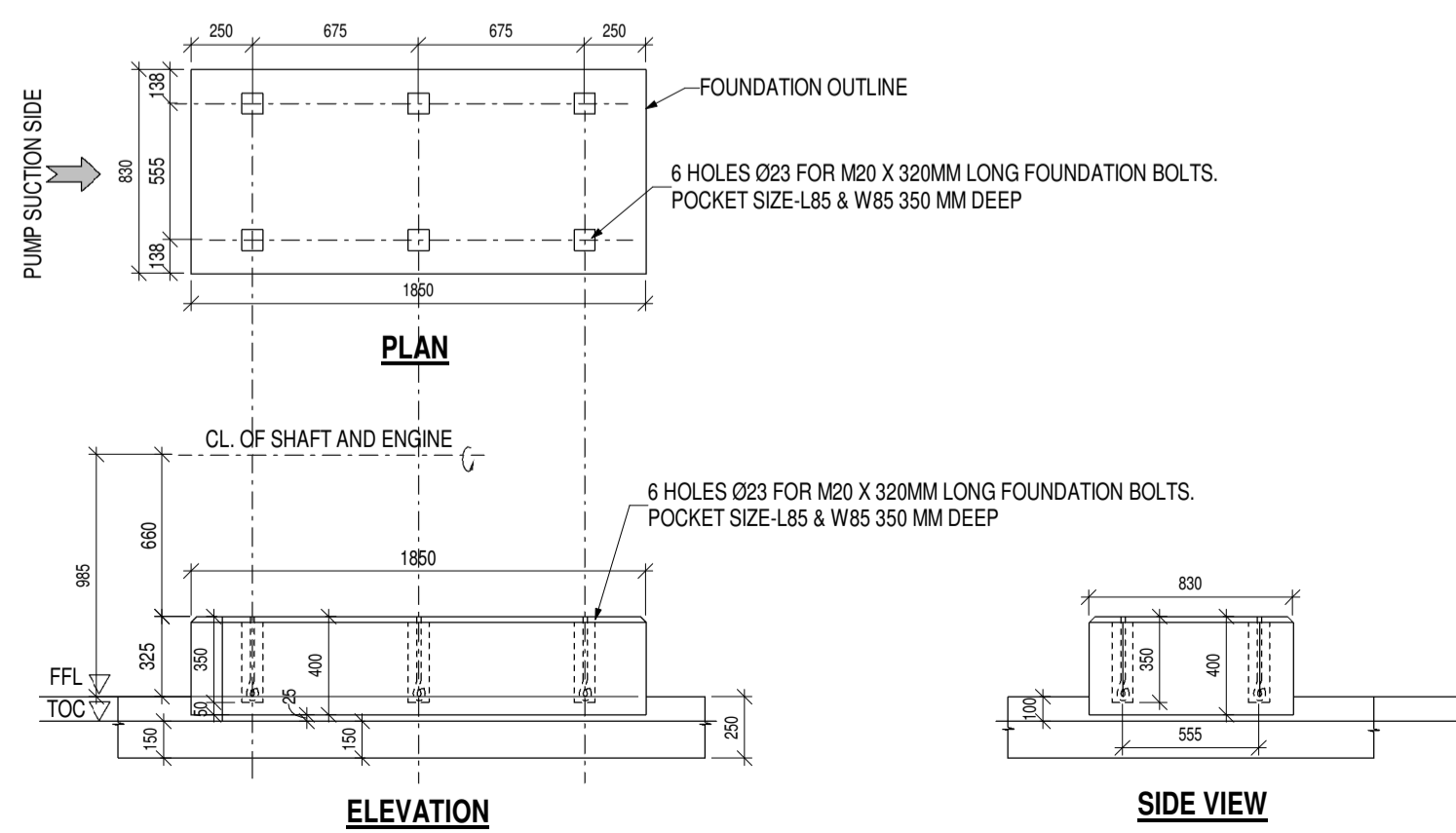
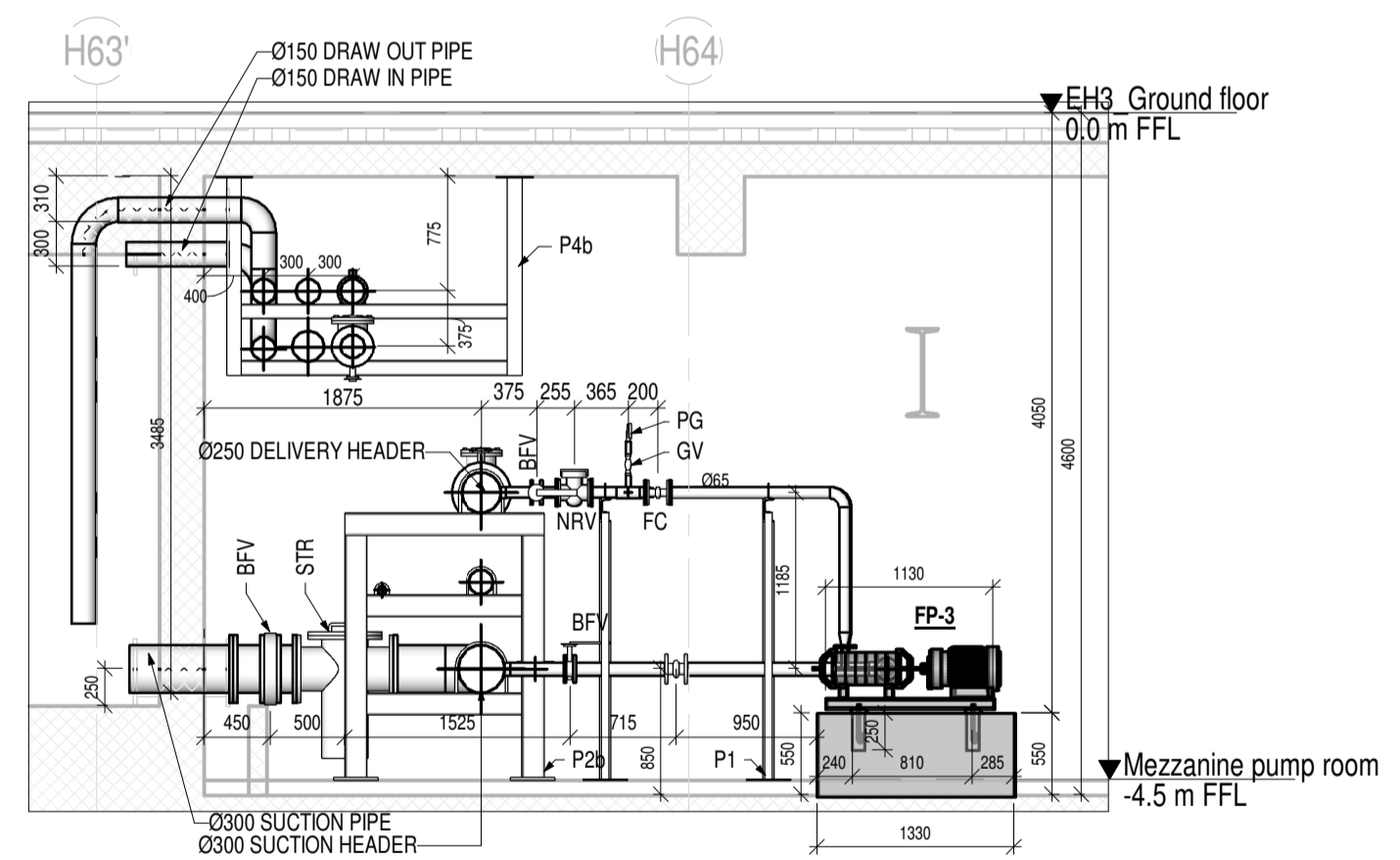
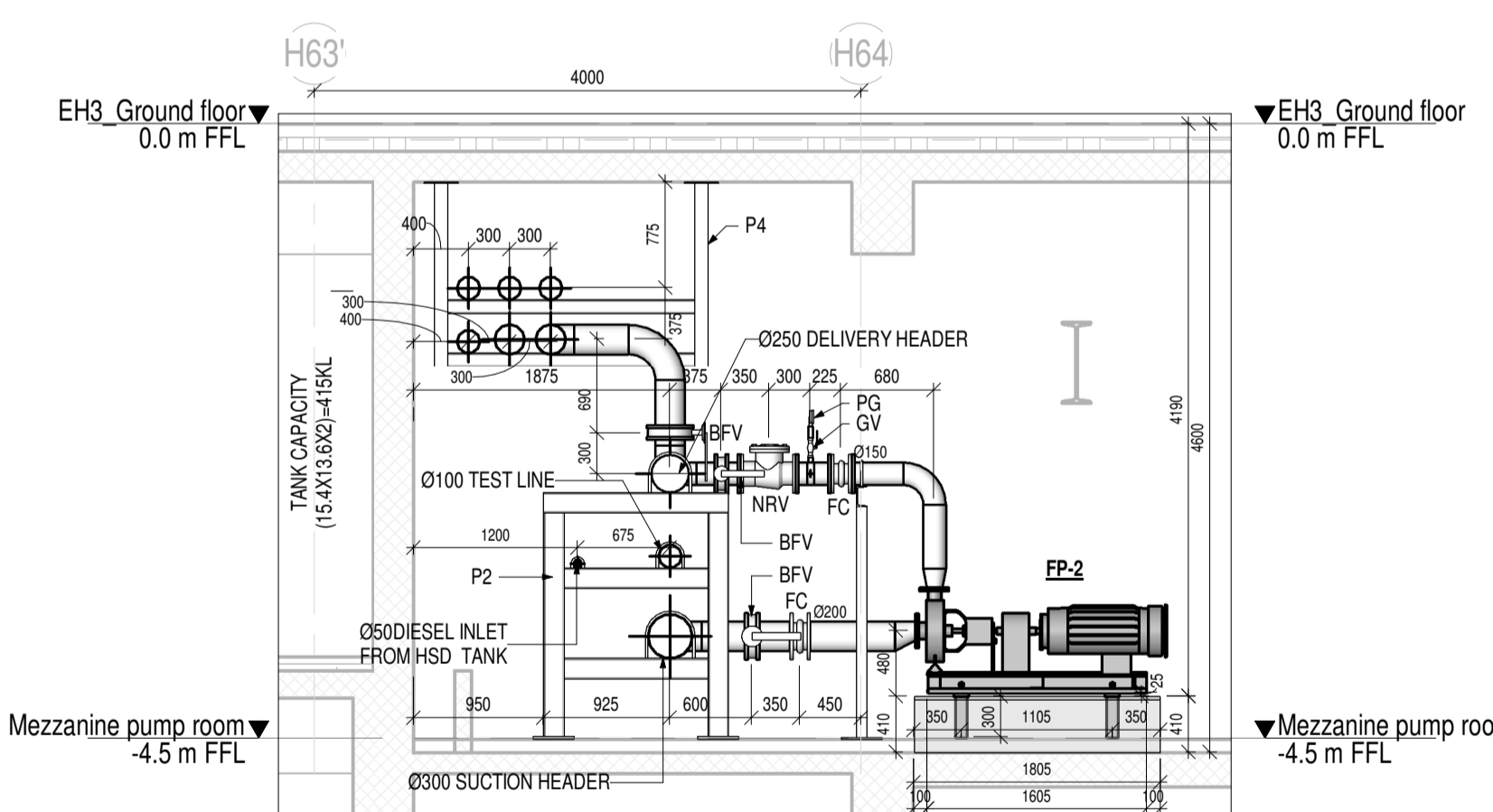
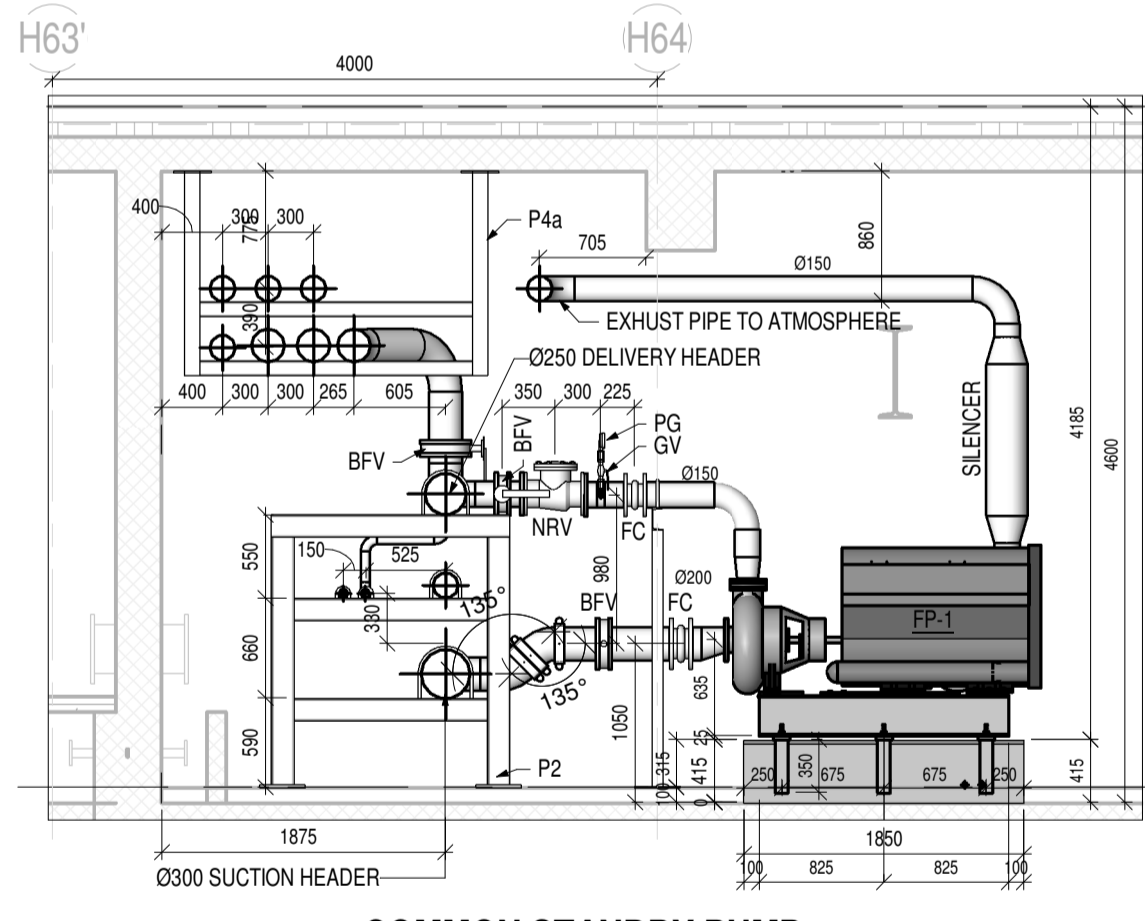


PUMPS SCHEDULE

SL. NO.	PUMP NO.	DESCRIPTION	SERVICE	CAPACITY (LPM)	HEAD MWC	No. OF PUMPS
1.	FP-1/9	COMMON STANDBY PUMP	COMMON SYSTEM	2850	120	02
2.	FP-2/10	MAIN PUMP	HYDRANT SYSTEM	2850	120	02
3.	FP-3/4/11/12	JOCKEY PUMP	HYDRANT SYSTEM	280	120	04
4.	FP-5/6/13/14	JOCKEY PUMP	SPRINKLER SYSTEM	280	120	04
5.	FP-7/15	MAIN PUMP	SPRINKLER SYSTEM	2850	120	02
6.	FP-8/16	MAIN PUMP	WATER CURTAIN SYSTEM	2850	120	02

REVISION HISTORY :-

1	REVISED AS PER LATEST PUMP GA DRAWING
---	---------------------------------------



Owner / Employer
 India International Convention & Exhibition Centre Limited
 Room No. 452A, Ministry of Commerce & Industry, DIPP, Udyog Bhawan, New Delhi - 110011, India

Department of Industrial Policy and Promotion Ministry of Commerce & Industry Government of India

Knowledge Partner
 Delhi Mumbai Industrial Corridor Development Corporation
 Room No. 341 & 3rd Floor Hotel Ashok, Diplomatic Enclave, 508 Chanakyapuri, New Delhi - 110021

Employer's Representative
 Employer's Engineer
 Programme Management Consultant (PMC)

AECOM
 Preliminary Engineering Architecture Consultants (PEAC)

idom **CPKUREJA ARCHITECTS**
 Av. Del Monasterio de El Escorial, 4, 28049 Madrid, Spain
 No.D-1, Ashwad Building, Green Park, New Delhi, Delhi 110016, India

EPC Contractor
L&T Construction
 Buildings & Factories
 Mount Poonamallee Road, Manappakkam, P.O.No.779, Chennai - 600 089

EPC Contractor's Representatives
Design Consultant
 Engineering Design and Research Center (EDRC)
 L&T Construction - Buildings & Factories

Architectural Consultant
ARCOP Arcop Associates Pvt. Ltd.
 A-15, Pamposh Enclave, G.K-1 New Delhi, Delhi 110048, India

Structural Proof Consultant
Indian Institute of Technology (IIT) Madras
 Sardar Patel Rd, Opposite to C. L.R.J. Adyar, Chennai, Tamil Nadu 600036

MEP Proof Consultant
egis Egis India Consulting Engineers Pvt. Ltd.
 Plot No. 66, Sector 32, Institutional Area, Opp: Zenith Solutions, Gurugram, Haryana 122001

ICT Proof Consultant
CCR CCR Consulting Engineers Pvt. Ltd.
 #47/1, 3rd Floor, Narayana Arcade, Subbaramachetty Road, Heikalappa Circle, Basavanagudi, Bangalore - 560004

Certification

EPC Contractor

Design Consultant

Architectural Consultant

Proof Consultant

Structural	MEP	ICT
------------	-----	-----

PEAC

Issued by:
 Employer / Employer's Engineer

REV	DESCRIPTION	DATE	DSGN	DRWN	CHKD	APPD
R1	REVISED AS PER REVISION HISTORY-1 AND ISSUED AS GOOD FOR CONSTRUCTION	08.09.20	VVV	VVV	PBU/SNA	SPN

Revisions

ARCHITECTURE	MEP	ICT
STRUCTURAL	PIPING	
ELECTRICAL	PHE	
ELV SYSTEM	GIS	
HVAC	GEOTECH.	

EPC Contractor
L&T Construction
 Buildings & Factories

JOB No : 017203

Project Name
 DESIGN AND CONSTRUCTION OF INDIA INTERNATIONAL CONVENTION & EXPO CENTRE SECTOR 25, DWARKA, NEW DELHI, INDIA

Drawing Status
 GOOD FOR CONSTRUCTION (GFC)

Drawing No **Rev. No**

F	03	0011	R1
---	----	------	----

Title :
EXHIBITION HALL 3
 LAYOUT OF PUMPS & EQUIPMENTS INSIDE PUMP ROOM

EDRC DWG No : 017203 - F - SP - 03 - GA - 0011 **Scale** As indicated **Sheet Size** A1

017203 - F - SP - 03 - GA - 0011 (LAYOUT OF PUMPS & EQUIPMENTS INSIDE PUMP ROOM)

This drawing is the property of L&T Construction. B&E-EDRC and must not be passed on to any person or body not authorized by us to receive it nor be copied or otherwise made use of without our prior permission in writing.