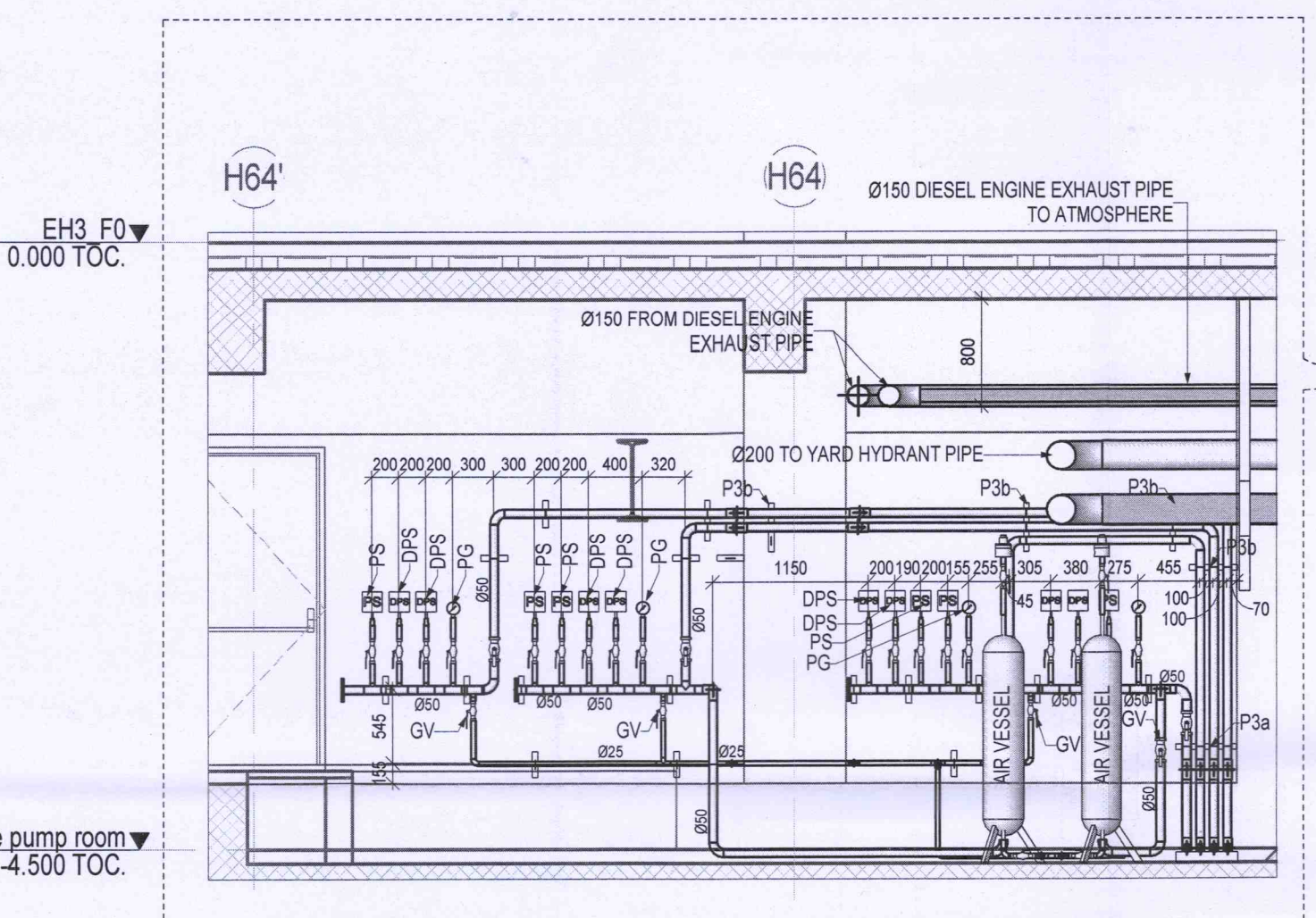
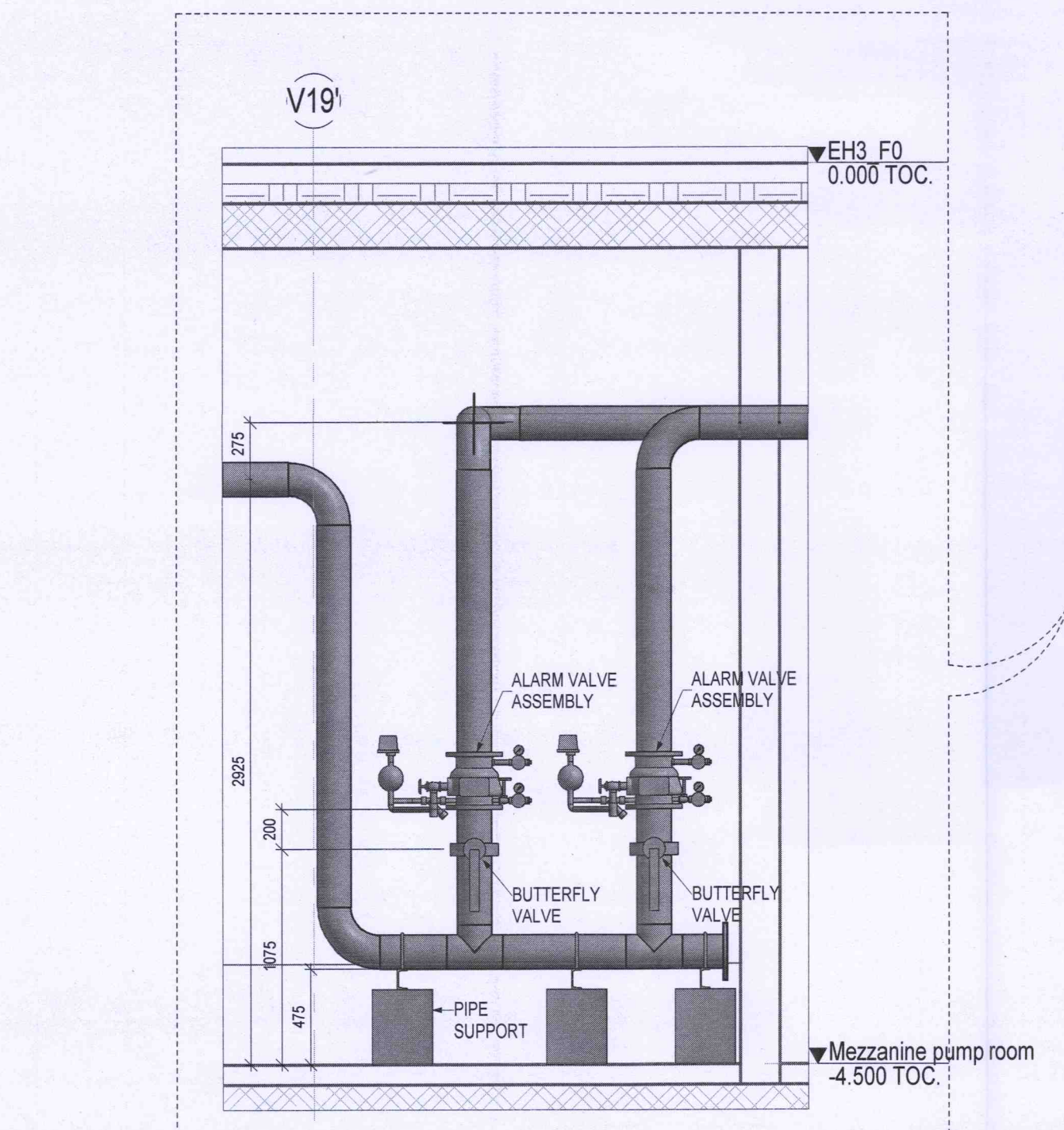
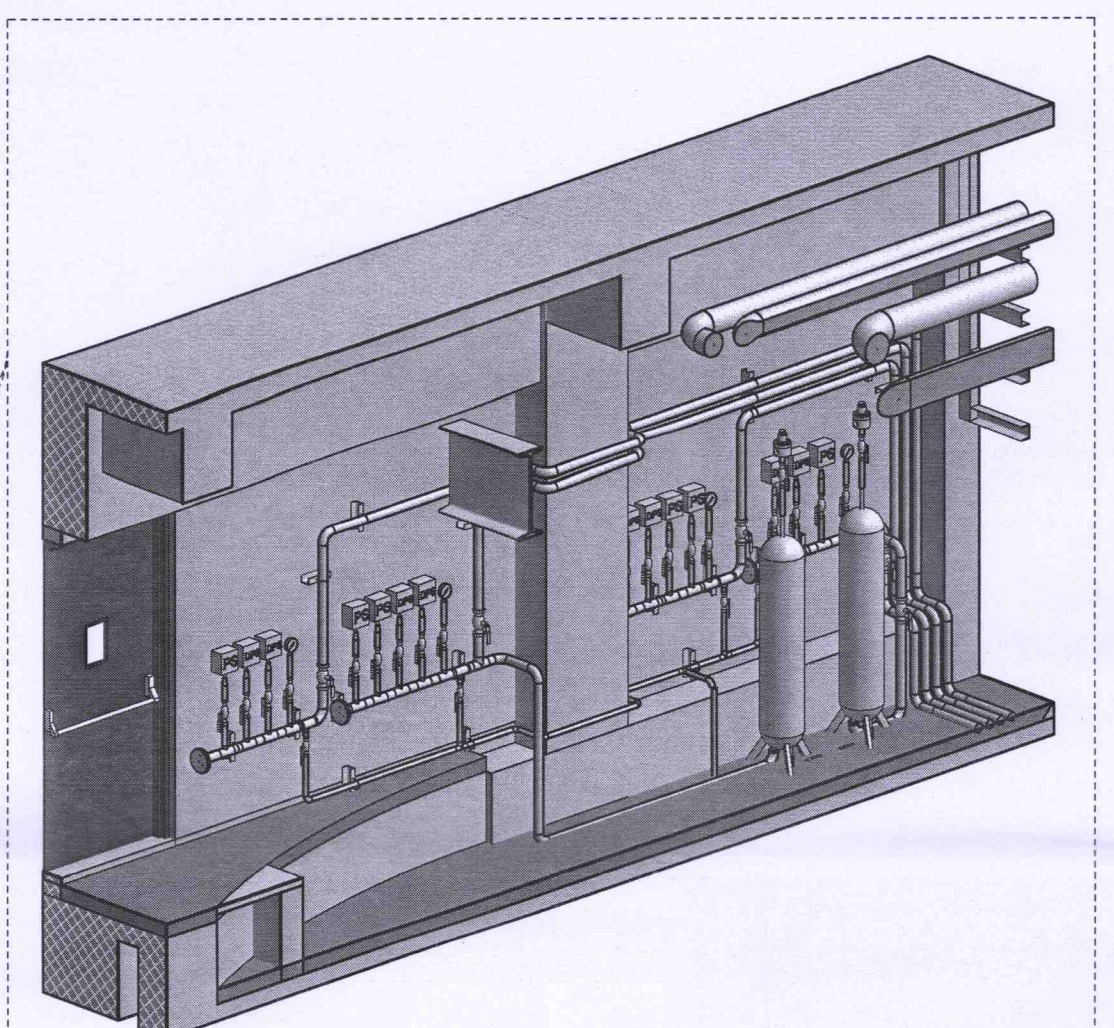


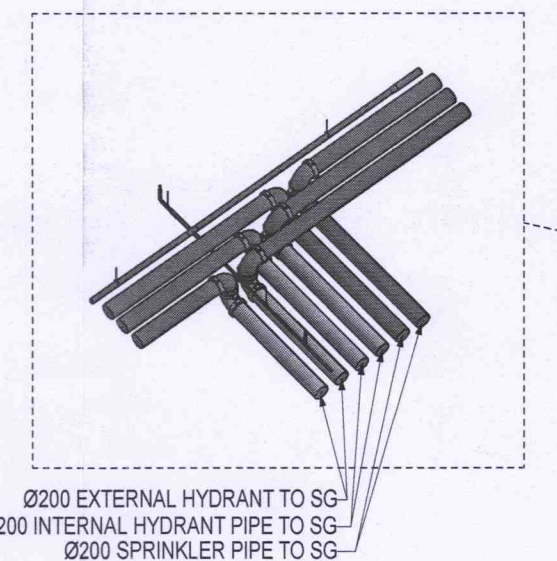
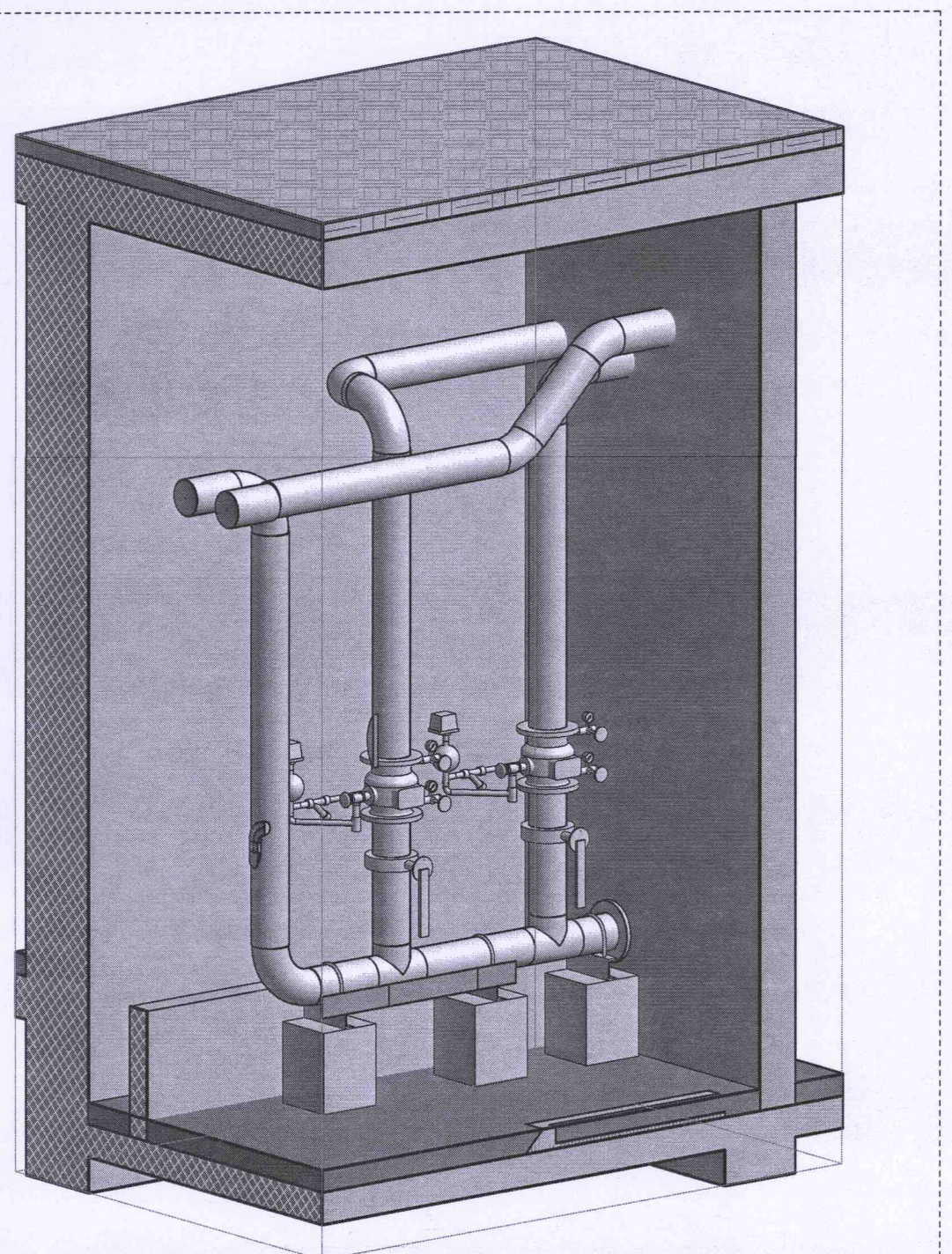
SECTION-7  
1:75



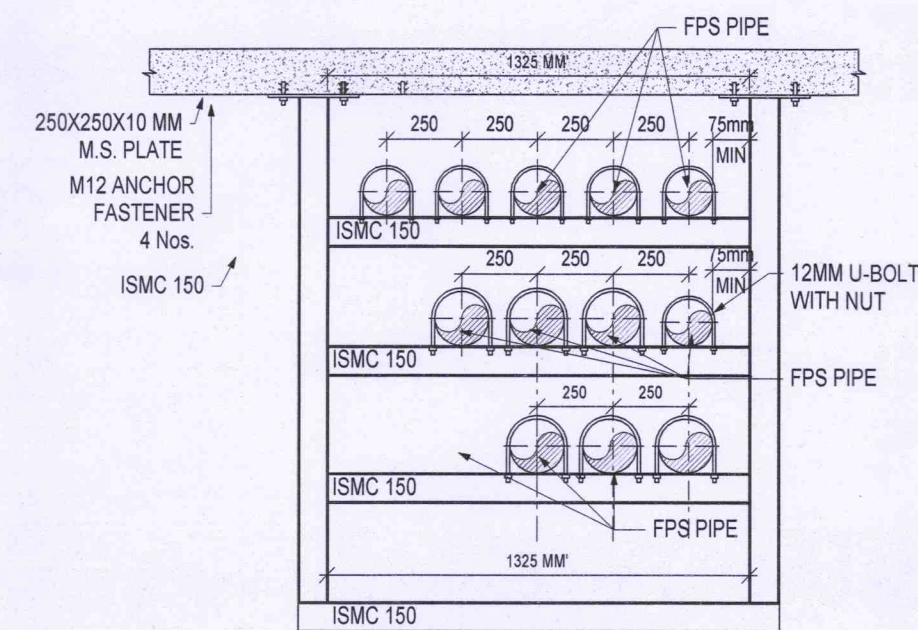
SECTION-4  
1:50



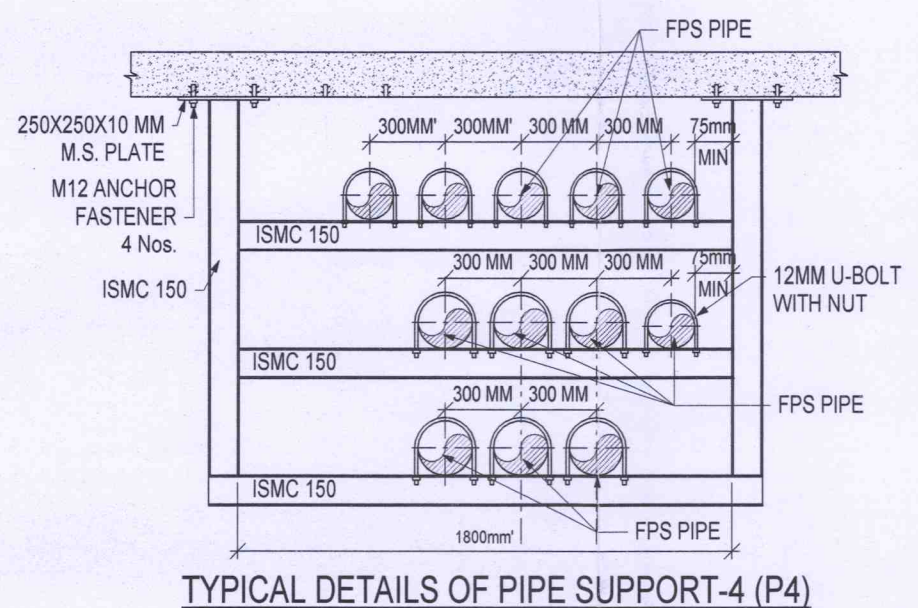
Section 2  
1:30



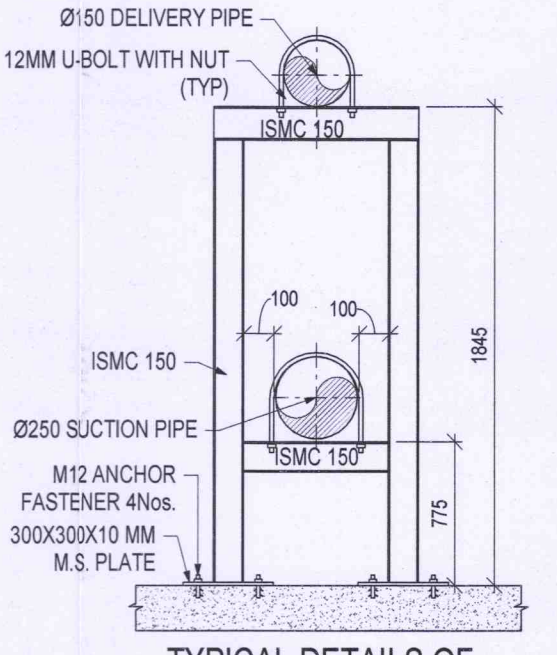
TYPICAL DETAILS OF  
PIPE SUPPORT-5 (P5)



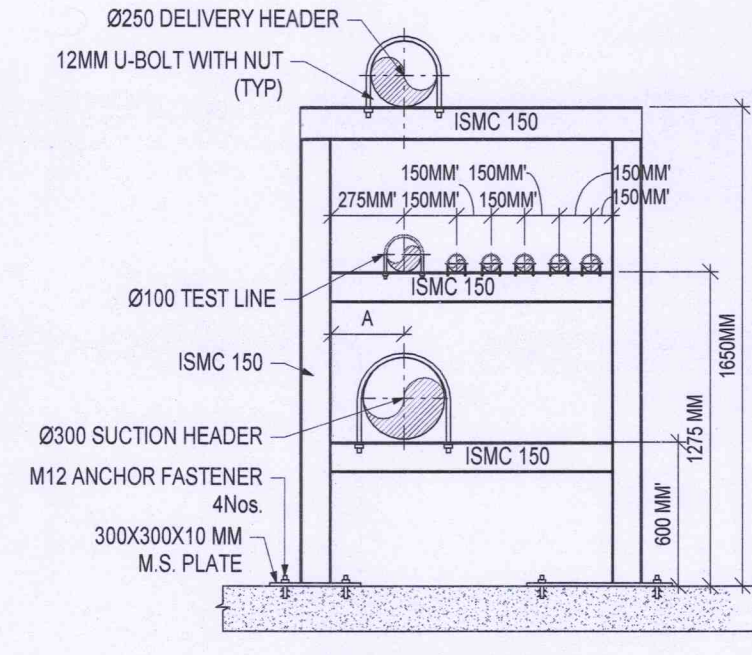
TYPICAL DETAILS OF PIPE SUPPORT-6 (P6)



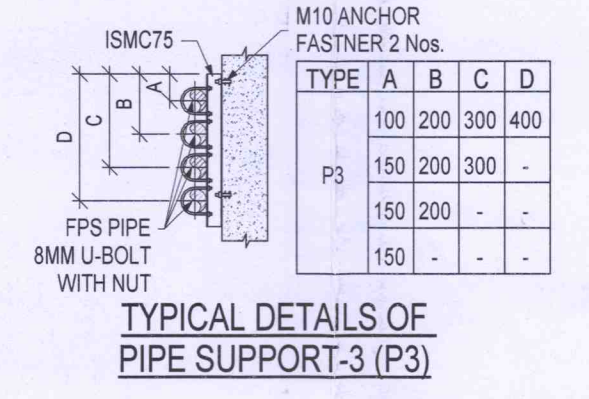
TYPICAL DETAILS OF PIPE SUPPORT-4 (P4)



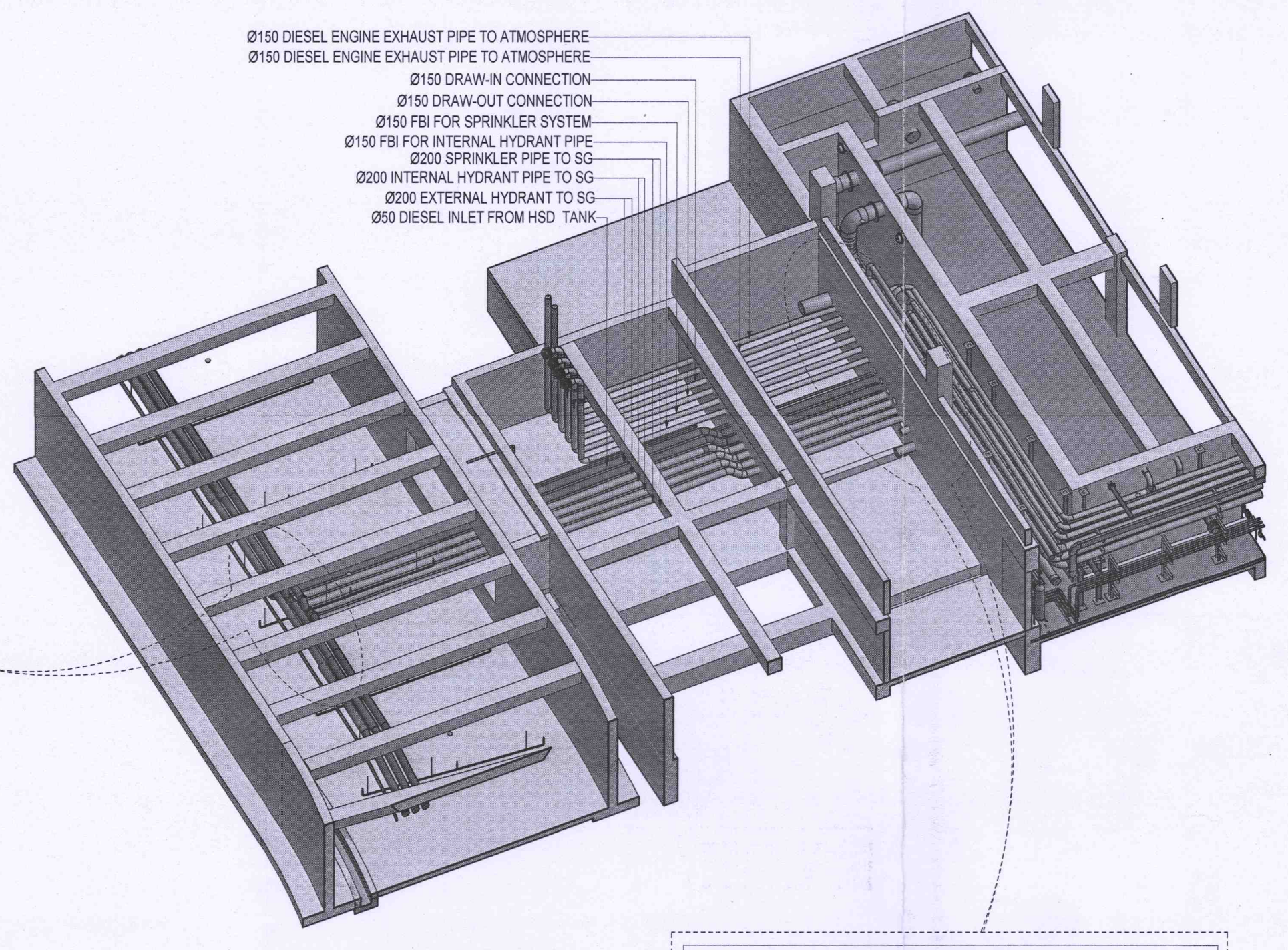
TYPICAL DETAILS OF  
PIPE SUPPORT-1 (P1)



TYPICAL DETAILS OF  
PIPE SUPPORT-2 (P2)



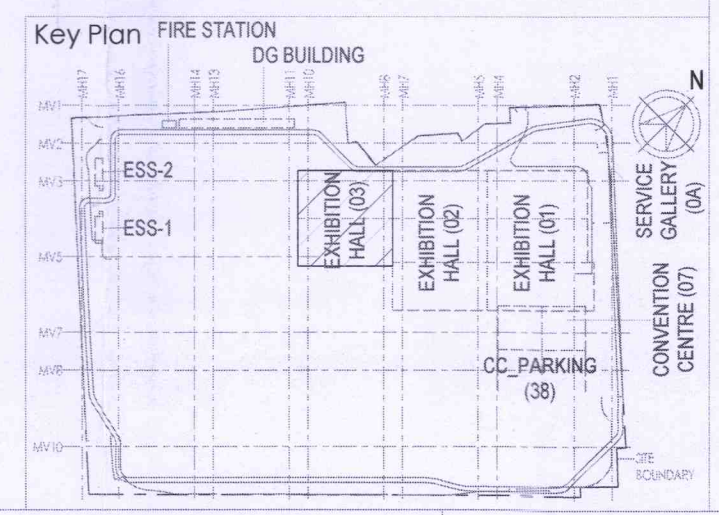
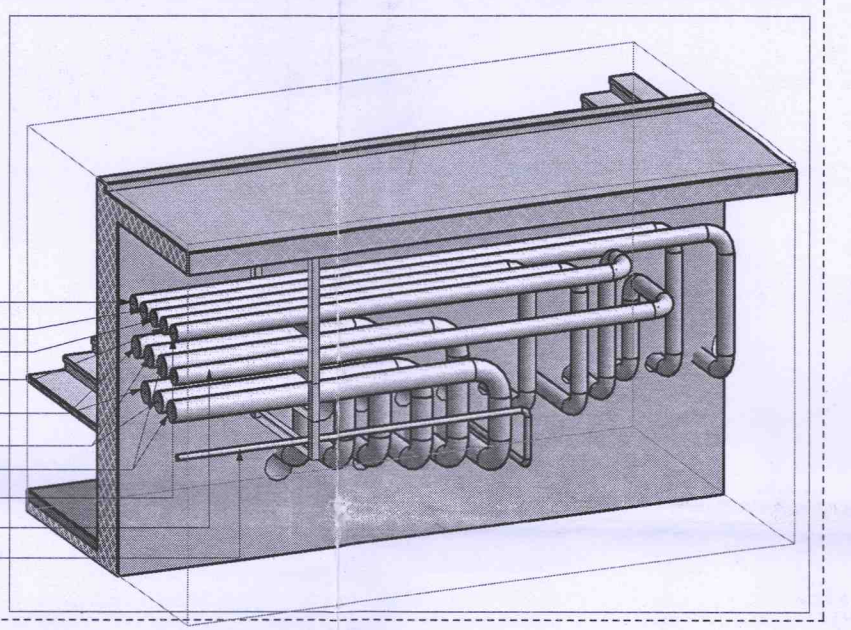
TYPICAL DETAILS OF  
PIPE SUPPORT-3 (P3)



- Ø150 DIESEL ENGINE EXHAUST PIPE TO ATMOSPHERE
- Ø150 DIESEL ENGINE EXHAUST PIPE TO ATMOSPHERE
- Ø150 DRAW-IN CONNECTION
- Ø150 DRAW-OUT CONNECTION
- Ø150 FBI FOR SPRINKLER SYSTEM
- Ø150 FBI FOR INTERNAL HYDRANT PIPE
- Ø200 SPRINKLER PIPE TO SG
- Ø200 INTERNAL HYDRANT PIPE TO SG
- Ø200 EXTERNAL HYDRANT PIPE TO SG
- Ø250 DIESEL INLET FROM HSD TANK



- Ø150 DIESEL ENGINE EXHAUST PIPE TO ATMOSPHERE
- Ø150 DIESEL ENGINE EXHAUST PIPE TO ATMOSPHERE
- Ø150 DRAW-IN CONNECTION
- Ø150 DRAW-OUT CONNECTION
- Ø200 EXTERNAL HYDRANT PIPE TO SG
- Ø200 INTERNAL HYDRANT PIPE TO SG
- Ø200 SPRINKLER PIPE TO SG
- Ø150 FBI FOR INTERNAL HYDRANT PIPE
- Ø150 FBI FOR SPRINKLER SYSTEM
- Ø250 DIESEL INLET FROM HSD TANK



Owner / Employer  
India International Convention & Exhibition Centre Limited  
Room No. 452A, Ministry of Commerce & Industry, DFP, Udyog Bhawan, New Delhi - 110011, India

Knowledge Partner  
Delhi Mumbai Industrial Corridor Development Corporation  
Room No. 341 & 3rd Floor Hotel Anah, Diplomatic Enclave, 508 Chanakyapuri, New Delhi - 110021

Employer's Representative  
Programme Management Consultant (PMC)  
**AECOM**

Preliminary Engineering Architecture Consultants (PEAC)  
**idom** **CPKUREJA ARCHITECTS**  
Av. Del Marañón de El Escorial, 4, No. D-1, Ashwadi Building, Green Park, 28049 Madrid, Spain  
New Delhi, Delhi 110016, India

EPC Contractor  
**L&T Construction**  
Buildings & Factories  
Mount Poonamallee Road, Manapakkam, P.O. No. 979, Chennai - 600 089

EPC Contractor's Representatives  
Design Consultant  
Engineering Design and Research Center (EDRC)  
L&T Construction - Buildings & Factories

Architectural Consultant  
**ARCOP** Arcop Associates Pvt. Ltd.  
A-15, Pamposh Enclave, G.K.-1, New Delhi, Delhi 110048, India

Structural Proof Consultant  
**Indian Institute of Technology (IIT) Madras**  
Sardar Patel Res. Opposite to C.L.R.I. Adyar, Chennai, Tamil Nadu 600035

MEP Proof Consultant  
**egis** Egis India Consulting Engineers Pvt. Ltd.  
Plot No. 66, Sector 32, Institutional Area, Opp. Zenith Solutions, Gurugram, Haryana 122001

ICT Proof Consultant  
**CKR** CKR Consulting Engineers Pvt. Ltd.  
#47/1, 3rd Floor, Narayana Arcade, Subbaramachetty Road, Melkattappa Circle, Basavanagudi, Bangalore - 560004

Certification  
EPC Contractor  
Design Consultant  
Architectural Consultant

Professional Seals  
Structural  
MEP  
ICT  
PEAC

Issued by:  
Employer / Employer's Engineer of PEAC  
Date:

|              |                                 |          |            |      |      |      |
|--------------|---------------------------------|----------|------------|------|------|------|
| RO           | ISSUED AS GOOD FOR CONSTRUCTION | 09.11.18 | VNV        | SEH  | FBI  | LSN  |
| REV          | DESCRIPTION                     | DATE     | DSGN       | DRWN | CHKD | APPD |
| Revisions    |                                 |          |            |      |      |      |
| ARCHITECTURE |                                 |          | FPS        |      |      |      |
| STRUCTURAL   |                                 |          | PIPING     |      |      |      |
| ELECTRICAL   |                                 |          | PHE        |      |      |      |
| ELEV SYSTEM  |                                 |          | GIS        |      |      |      |
| HVAC         |                                 |          | GEOTECH    |      |      |      |
| CHECKED BY   | SIGN                            | DATE     | CHECKED BY | SIGN | DATE |      |

EPC Contractor  
**L&T Construction**  
Buildings & Factories

JOB No: O17203  
Project Name  
DESIGN AND CONSTRUCTION OF INDIA INTERNATIONAL CONVENTION & EXPO CENTRE  
SECTOR 25, DWARKA, NEW DELHI, INDIA

Drawing Status  
GOOD FOR CONSTRUCTION (GFC)  
Drawing No  
F 03 0012 R0

Title:  
**EXHIBITION HALL 3**  
SECTIONS OF FIREFIGHTING PUMP AND SUMP AT PUMP ROOM (SHEET 2 OF 2)

EDRC DWG No:  
O17203 - F - SP - 03 - PL - 0012  
Scale  
As indicated  
Sheet Size  
A1

O17203 - F - SP - 03 - PL - 0012 SECTIONS OF FIREFIGHTING PUMP AND SUMP AT PUMP ROOM (SHEET 2 OF 2)

This drawing is the property of L&T Construction. BEE-EDRC and must not be passed on to any person or body not authorized by us to receive. For use without our prior permission is strictly prohibited.